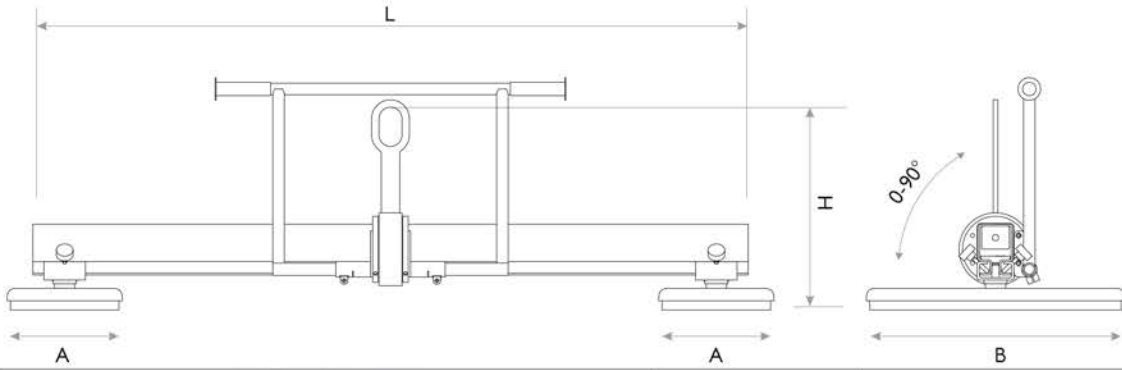
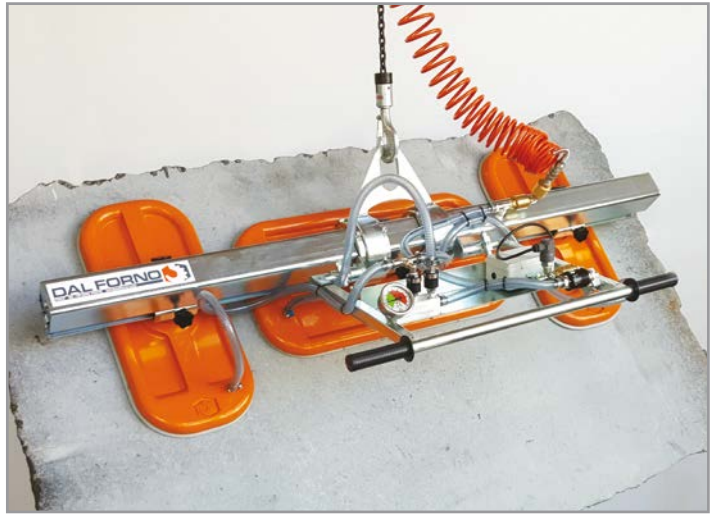


VENTOSE - SUCTION PADS

S

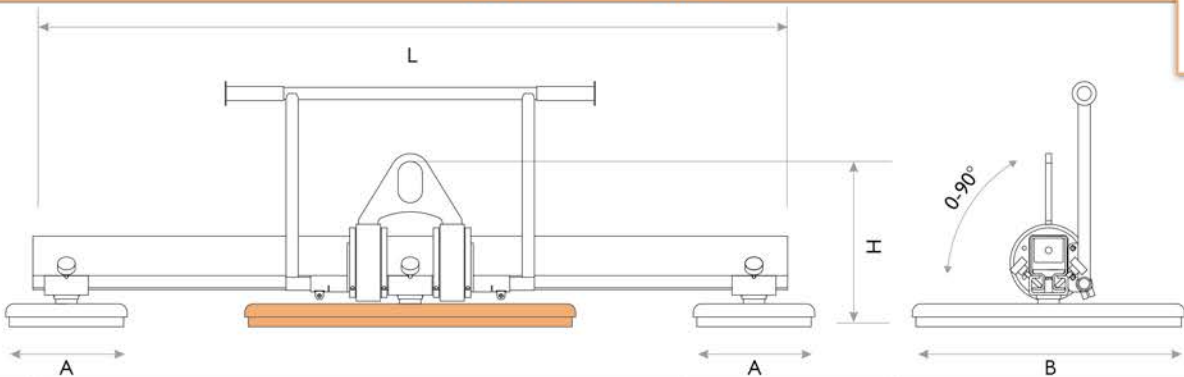


Modello Model	DIMENSIONI - SIZES				Peso Weight kg	Portata Verticale/Orizzontale Vertical/Horizontal Capacity kg
	mm					
	A	B	H	L	Ventosa Centrale Middle pad	
L2S 2040	200	420	467	1550	--	125/250
L2S 2550	250	560	467	1550	--	250/500
L2S 3570	350	680	467	1550	--	500/1000



VENTOSE - SUCTION PADS

S



Modello Model	DIMENSIONI - SIZES				Peso Weight kg	Portata Verticale/Orizzontale Vertical/Horizontal Capacity kg
	mm					
	A	B	H	L	Ventosa Centrale Middle pad	
L3S 2040	200	420	325	1550	200 x 420	185/370
L3S 2040/50	200	420	325	1550	250 x 560	250/500
L3S 2550	250	560	325	1550	250 x 560	375/750
L3S 2550/70	250	560	325	1550	350 x 680	500/1000
L3S 3570	350	680	325	1550	350 x 680	750/1500