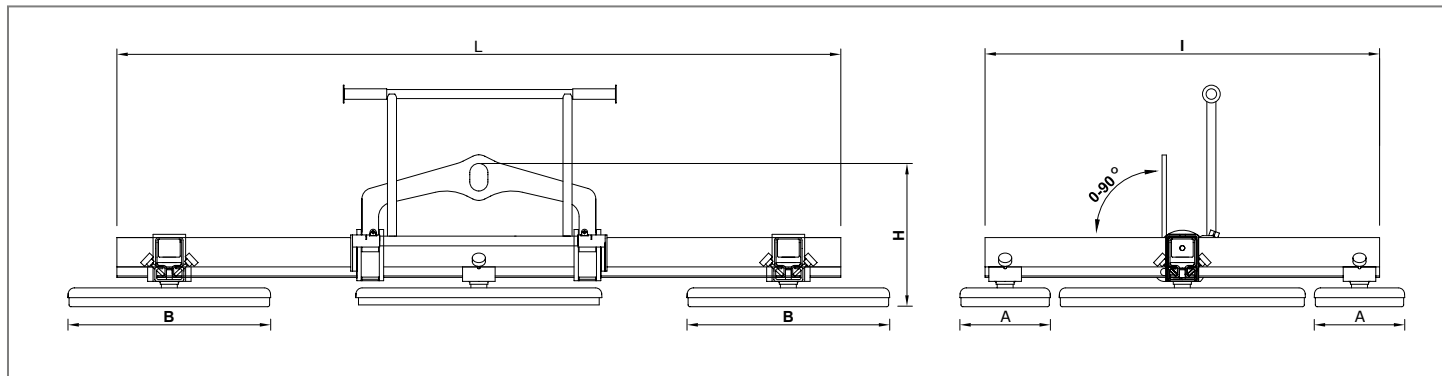


## VENTOSE - SUCTION PADS



### DIMENSIONI - SIZES

Modello - Model	mm					Ventosa Centrale Middle Pad	Peso Weight	Portata Verticale/Orizzontale Vertical/Horizontal Capacity
	A	B	H	L	I		kg	kg
VX4S 2040	200	420	390	1550	1300	--	107	250/500
VX5S 2040	200	420	390	1550	1300	200 x 420	113	300/600
VX5S 2040/50	200	420	390	1550	1300	250 x 560	116	350/700
VX4S 2550	250	560	390	1550	1300	--	120	500/1000
VX5S 2550	250	560	390	1550	1300	250 x 560	129	600/1200
VX5S 2550/70	250	560	390	1550	1300	350 x 680	135	700/1400

## VENTOSE - SUCTION PADS

Modello - Model	mm					Ventosa Centrale Middle Pad	Peso Weight	Portata Verticale/Orizzontale Vertical/Horizontal Capacity
	A	B	H	L	I		kg	kg
VX4L 2040	200	420	390	2000	1300	--	112	250/500
VX5L 2040	200	420	390	2000	1300	200 x 420	118	300/600
VX5L 2040/50	200	420	390	2000	1300	250 x 560	121	350/700
VX4L 2550	250	560	390	2000	1300	--	125	500/1000
VX5L 2550	250	560	390	2000	1300	250 x 560	134	600/1200
VX5L 2550/70	250	560	390	2000	1300	350 x 680	140	700/1400

